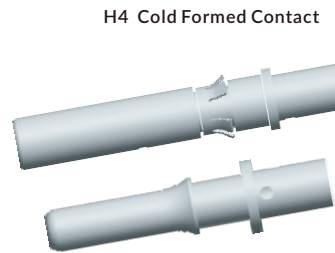
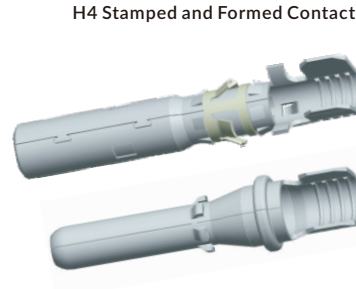
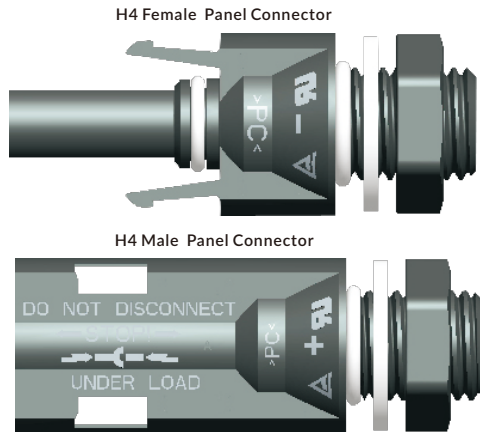


H4 PV Panel Connector



Features & Benefits

- UL 6703 , 1500V DC, TUV IEC62852, 1500V DC approved
- Long-term UV resistance
- High current rating in industry
- RoHS, REACH and Halogen-free compliant
- Low contact resistance means low loss

Technical Specification



R 50388083

E 339277

Rated Voltage	UL	1500V DC per UL 6703
	TUV	1500V DC per IEC 62852, Class A Unrestricted Use
Rated Current(IEC85°C)	25A (2.5mm ² / 14AWG), 35A (4.0mm ² / 12AWG), 45A (6.0mm ² /10AWG) ,65A (10mm ² / 8AWG)	
Rated Current(UL)	15A (2.5mm ² / 14AWG), 20A (4.0mm ² / 12AWG), 30A (6.0mm ² /10AWG) ,50A (10mm ² / 8AWG)	
Rated insulation Voltage	8kV for 1 minute(IEC)	
Rated impulse voltage	16kV (IEC)	
Contact system options	Stamped and Formed/Cold Formed contact with RADSOK® Insert	
Typical contract resistance	≤0.30mΩ for S&F contact, ≤0.25mΩ for CF contact, using Amphenol's low resistance RADSOK® contact technology	
Insulation material	Thermoplastic	
Contact material	Tin-Plated Copper Alloy.	
Locking Mechanism	Meets 2014NEC Handbook 690.33(C) requirement for self-locking with tool-required unlock.	
Degree of protection	IP68(1 meter, 1 hour) mated & IP2X touch-proof (reverse gender design)	
Flammability classification	UL94, V-0	
Jacket of Cable Range	Ø4.5mm~Ø7.8mm	
Over Voltage Category	CAT III	
Safety Class	Class II	
Polution Degree	2	
Ambient Temperature Range	-40°C ~ +85°C	
Upper Limiting Temperature	120°C	
RoHS and Halogen Free	Compliance	
UV Resistance	Outdoor suitable (f1) rated materials, per UL 746C	

Assembly Tool:



Tool-kit H4TK0000



Unlock Tool H4TU0000



Wrench Tool H4TW0001



Strip Tool H4TS0000



Crimp Tool for S&F contact H4TC0002 for C&F contact H4TC0001



New Crimp Tool for S&F contact H4TC0003 for C&F contact UTXC0004



Inspection Tool H4TT0001

NOTES:

* THIS DOCUMENT CONTAINS PROPRIETARY INFORMATION AND SUCH INFORMATION MAY NOT BE DISCLOSED TO OTHERS FOR ANY PURPOSE OR USED FOR MANUFACTURING PURPOSES WITHOUT WRITTEN PERMISSION FROM THE AMPHENOL CORP.

www.amphenol-solar.com

ASIA

Amphenol Technology (Shenzhen) Co., Ltd.
Building C, 2nd Industrial Zone of Xia Shi Jia
Gongming Sub-district, Guangming New district
Shenzhen, China 518106
Tel: +86-755-29918389

NORTH AMERICA

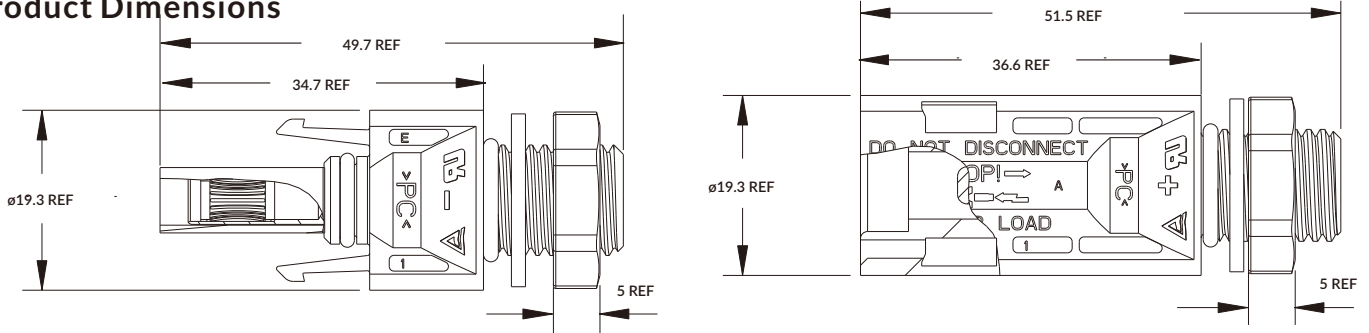
Amphenol Industrial Operations
191 Delaware Avenue
Sidney, New York 13838-1395 USA
Tel: +1-888-364-9011
Amphenol Industrial Solar Technologies
180N Freeport DR.W-10, Nogales AZ 85621-2423
Tel: +1-520-397-7047

EUROPE & THE MIDDLE EAST

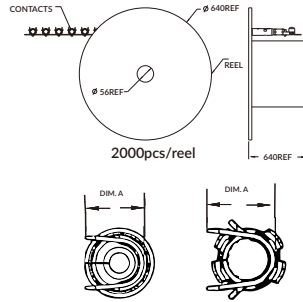
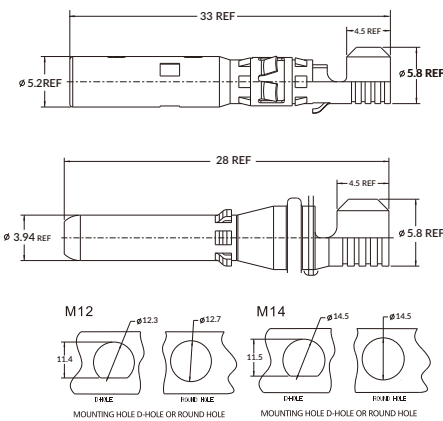
Amphenol Industrial Operations Europe
Via Barbaiana 51-20020 Lainate (MI) Italy
Tel: +39-348-3145390
Amphenol Industrial Operations Middle East
Office C-37 PO Box 21107
Ajman Free Zone, UAE
Tel: +39-348-3145390

H4 PV Panel Connector

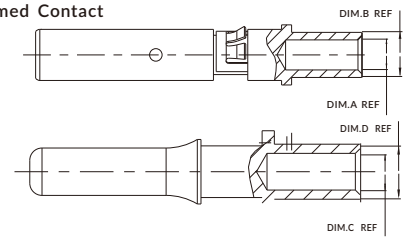
Product Dimensions



H4 Stamped and Formed Contact



H4 Cold Formed Contact



Accept wire conductor size mm ² (AWG)	"A"
2.5(14)	4.80
4&6(12&10)	5.80

Accept wire conductor size mm ² (AWG)	"A"	"B"	"C"	"D"
2.5(14)	2.30	3.5	2.3	3.5
4.0(12)	3.05	4.57	3.05	4.57
4&6(12&10)	3.4	4.6	3.4	4.6
6.0(10)	3.7	6.00	3.7	6.00
10.0(8)	4.5	6.00	4.5	6.00

How to Order

How to order a connector (Please choose one code per position)

Product family	Product Type	Gender	Connector Type	Cable Size	Approvals
H4 Helios H4	C Connector	F Female M Male	M bulkhead M12 N bulkhead M14	2 2.5mm ² /14 AWG 4 4.0mm ² /12 AWG & 6.0mm ² /10 AWG (S&F) 4.0mm ² /12 AWG (CF) 6 6.0mm ² /10 AWG (CF) 8 10.0mm ² /8 AWG (CF) 0 Less contacts	D Dual TUV/UL Certified
Packaging		Contact			
I 1pcs/bag, 800pcs/box C 100pcs/bag, 10 bags/box M 500pcs/bag, 2 bags/box		S S&F Contact Blank CF Contact			

Order Example:

H4CFM4DMS: H4 bulkhead M12 connector, female, 4.0mm²/12 AWG & 6.0mm²/10 AWG S&F contact, 1000pcs per box
H4CFM4DM: H4 bulkhead M12 connector, female, 4.0mm²/12 AWG CF contact, 1000pcs per box

How to order S&F Contacts on Reels (Please choose one code per position)

Product family	Contact Type	Gender	Cable Size	Packing
H4 Helios H4	F S&F contact	F Female M Male	2 1.5mm ² /16 AWG & 2.5mm ² /14 AWG 4 4.0mm ² /12 AWG & 6.0mm ² /10 AWG	R 2000pcs/reel

Note: If ordering contacts in 2000pcs/reel version, need to order contact and plastic housing separately. contact ordering code refers to this table.

Order Example:

H4CFM0DM: H4 bulkhead M12 connector, Female, housing assembly, 1pcs.
H4CMM0DM: H4 bulkhead M12 connector, Male, housing assembly, 1 pcs.
H4FF4R: H4-R female contact on reel, 4.0mm²/12 AWG & 6.0mm²/10 AWG, 2000pcs/reel.
H4FM2R: H4-R male contact on reel, 2.5mm²/14 AWG, 2000pcs/reel.

NOTES:
* THIS DOCUMENT CONTAINS PROPRIETARY INFORMATION AND SUCH INFORMATION MAY NOT BE DISCLOSED TO OTHERS FOR ANY PURPOSE OR USED FOR MANUFACTURING PURPOSES WITHOUT WRITTEN PERMISSION FROM THE AMPHENOL CORP.

www.amphenol-solar.com

ASIA

Amphenol Technology (Shenzhen) Co., Ltd.
Building C, 2nd Industrial Zone of Xia Shi Jia
Gongming Sub-district, Guangming New district
Shenzhen, China 518106
Tel: +86-755-29918389

NORTH AMERICA

Amphenol Industrial Operations
191 Delaware Avenue
Sidney, New York 13838-1395 USA
Tel: +1-888-364-9011
Amphenol Industrial Solar Technologies
180N Freeport DR.W-10, Nogales AZ 85621-2423
Tel: +1-520-397-7047

EUROPE & THE MIDDLE EAST

Amphenol Industrial Operations Europe
Via Barbaiana 51-20020 Lainate (MI) Italy
Tel: +39-348-3145390
Amphenol Industrial Operations Middle East
Office C-37 PO Box 21107
Ajman Free Zone, UAE
Tel: +39-348-3145390