

**BALDOR® • RELIANCE** 

**Paquete de información de producto**

**CP3770TX**

**7.5HP,1765RPM,3PH,60HZ,213T,0729M,TEFC,F**

Detalle producto							
Revisión:	Q	Estado:	PRD/A	Núm. cambio:		Propietario:	No
Tipo:	AC	Spec elec.:	07WGX835	Diagrama Conexión:	CD0005	Planta fabr.:	
Spec Mec.:	07H001	Diseño:	07LYH001	Polos:	04	Fecha de creación:	01-04-2011
Base:	RG	Efec. Fecha:	11-05-2020	Cables:	9#14		

Specs			
Catalog Number:	CP3770TX	Insulation Class:	F
Enclosure:	TEFC	Inverter Code:	Not Inverter
Frame:	213T	KVA Code:	J
Frame Material:	Iron	Lifting Lugs:	Standard Lifting Lugs
Output @ Frequency:	7.500 HP @ 60 HZ	Locked Bearing Indicator:	No Locked Bearing
Synchronous Speed @ Frequency:	1800 RPM @ 60 HZ	Motor Lead Quantity/Wire Size:	9 @ 14 AWG
Voltage @ Frequency:	208.0 V @ 60 HZ	Motor Lead Exit:	Ko Box
	230.0 V @ 60 HZ	Motor Lead Termination:	Flying Leads
	460.0 V @ 60 HZ	Motor Type:	0730M
XP Class and Group:	None	Mounting Arrangement:	F1
XP Division:	Not Applicable	Power Factor:	76
Agency Approvals:	UR	Product Family:	Chemical Processing (Not DC)
	CSA	Pulley End Bearing Type:	Ball
Auxillary Box:	No Auxillary Box	Pulley Face Code:	Standard
Auxillary Box Lead Termination:	None	Pulley Shaft Indicator:	Standard
Base Indicator:	Rigid	Rodent Screen:	None
Bearing Grease Type:	Polyrex EM (-20F +300F)	RoHS Status:	ROHS COMPLIANT
Blower:	None	Shaft Extension Location:	Pulley End

<b>Current @ Voltage:</b>	10.300 A @ 460.0 V	<b>Shaft Ground Indicator:</b>	No Shaft Grounding
	20.600 A @ 230.0 V	<b>Shaft Rotation:</b>	Reversible
	22.300 A @ 208.0 V	<b>Shaft Slinger Indicator:</b>	Shaft Slinger
<b>Design Code:</b>	A	<b>Speed Code:</b>	Single Speed
<b>Drip Cover:</b>	No Drip Cover	<b>Motor Standards:</b>	NEMA
<b>Duty Rating:</b>	CONT	<b>Starting Method:</b>	Direct on line
<b>Electrically Isolated Bearing:</b>	Not Electrically Isolated	<b>Thermal Device - Bearing:</b>	None
<b>Feedback Device:</b>	NO FEEDBACK	<b>Thermal Device - Winding:</b>	None
<b>Front Face Code:</b>	Standard	<b>Vibration Sensor Indicator:</b>	No Vibration Sensor
<b>Front Shaft Indicator:</b>	None	<b>Winding Thermal 1:</b>	None
<b>Heater Indicator:</b>	No Heater	<b>Winding Thermal 2:</b>	None

Placa NP1258E											
CAT.NO.	CP3770TX										
SPEC.	07H001X835H2										
HP	7.5										
VOLTS	208-230/460										
AMP	22.3-20.6/10.3										
RPM	1765										
FRAME	213T				HZ	60		PH	3		
SER.F.	1.15			CODE	J		DES	A		CL	F
NEMA-NOM-EFF	89.5				PF	76					
RATING	40C AMB-CONT										
CC									USABLE AT 208V		
DE	6307				ODE	6206					
ENCL	TEFC			SN							
NOT FOR USE IN USA											

Placa NP0090E

FRONT 6206

PULLEY 6307

LUBRICATE WITH

GREASE POLYREX EM

Lista de partes		
Núm. parte	Descripción	Cantidad
SA214844	SA 07H001X835H2	1.000 EA
RA202046	RA 07H001X835H2	1.000 EA
HW3201A05	3/8-16 EYEBOLT	1.000 EA
RM1017	LEAD SEPERATOR GASKET MODEL 307 1/8" THK	1.000 EA
51XW2520A12	.25-20 X .75, TAPTITE II, HEX WSHR SLTD	2.000 EA
11XW1032G06	10-32 X .38, TAPTITE II, HEX WSHR SLTD U	1.000 EA
HW3001B01	BRASS CUP WASHER, FOR #10 SCREW	1.000 EA
10XN2520S06	1/4 20X3/8 HX HD CAP S.S.	1.000 EA
WD1000B16	T&B CX70TN OR L70P TERMINAL LUG	1.000 EA
HW4500A01	1641B(ALEMITE)400 UNIV, GREASE FITT	1.000 EA
HA4051A00	PLASTIC CAP FOR GREASE FITTING	1.000 EA
HW4500A17	317400 ALEMITE GREASE RELIEF	1.000 EA
HW5100A06	W2420-025 WVY WSHR (WB)	1.000 EA
HW4500A01	1641B(ALEMITE)400 UNIV, GREASE FITT	1.000 EA
HA4051A00	PLASTIC CAP FOR GREASE FITTING	1.000 EA
HW4500A17	317400 ALEMITE GREASE RELIEF	1.000 EA
XY3118A12	5/16-18 HEX NUT DIRECTIONAL SERRATION	4.000 EA
10XN2520A28	1/4-20X 1 3/4 HEX HD	3.000 EA
WD4100A02	DP-1000 HEYCO PLUG OR 62MP1000 MICRO PL	1.000 EA
12GS1002	GASKET, CONDUIT BOX LID, NEOP	1.000 EA
10XN2520A24	1/4-20X 1 1/2 HEX HD X	2.000 EA
HW1001A25	LOCKWASHER 1/4, ZINC PLT .493 OD, .255 I	2.000 EA
HA1005A02	SLINGER, OD 2.00, ID 1.14, 206 BRG,	1.000 EA
HW4600B33	V-RING SLINGER 1.375 X 1.890 X .35 VITON	1.000 EA

Lista de partes (cont.)		
Núm. parte	Descripción	Cantidad
HW2501F21	KEY, 5/16 SQ X 2.375	1.000 EA
HA7000A02	KEY RETAINER RING, 1 1/8 DIA, 1 3/8 DIA	1.000 EA
MJ5001A27	32220KN GRAY SEALER *MIN BUY 4 QTS=1GAL	0.001 QT
LB1115N	LABEL,LIFTING DEVICE (ON ROLLS)	1.000 EA
85XU0407S04	4X1/4 U DRIVE PIN STAINLESS	4.000 EA
09CB1002A05G	CONDUIT BOX, 1.00 N.P.T. (GRAY)	1.000 EA
37EP1100A64G	SPL TEFC W/GRSR & RELIEF 3 HOLES .25-20	1.000 EA
HA4001A01SP	DRAIN PLUG, PLASTIC (MICRO PLAS)	1.000 EA
MJ1000A02	GREASE, POLYREX EM EXXON	0.050 LB
37EP1101A32G	PU ENDPLATE MACH	1.000 EA
HA4001A01SP	DRAIN PLUG, PLASTIC (MICRO PLAS)	1.000 EA
HA3104A32	THRUBOLT- 5/16-18 X12.750	4.000 EA
51XB1214A20	12-14X1.25 HXWSSLD SERTYB	1.000 EA
07FH1001A01G	SPL FAN HOUSING, 307, W/GREASER, GRAY EP	1.000 EA
12CB1503G	CONDUIT BOX CAST. (GRAY)	1.000 EA
MG1025G29	WILKOFASST, 789.229, DARK CHARCOAL GRAY	0.036 GA
LC0005E01	CONN.DIA./WARNING LABEL (LC0005/LB1119N)	1.000 EA
NP1258E	SS CP UL CSA CC	1.000 EA
NP0090E	SS NO LOGO'S BEARING & GREASE DATA	1.000 EA
LB1002N	LABEL,MARINE DUTY (ON ROLLS)	1.000 EA
07PA1011	PKG GRP, 07 CAST IRON PK1181	1.000 EA
10XL3808A28	3/8 X 1 3/4" LAG SCREW	2.000 EA
MN416A01	TAG-INSTAL-MAINT no wire (1200/bx) 1/21	1.000 EA

**AC Induction Motor Performance Data**

Record # 49640

Typical performance - not guaranteed values

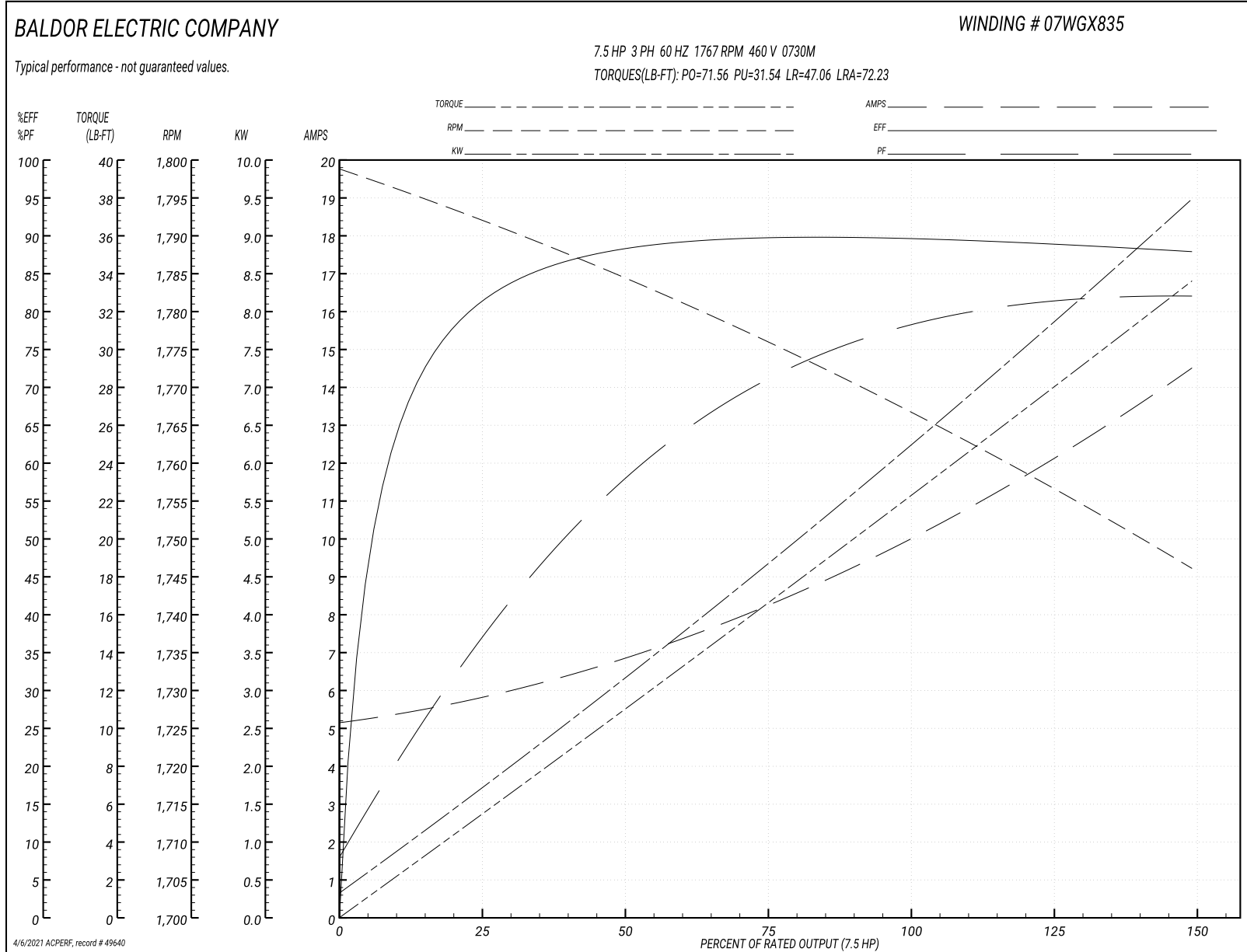
<b>Winding: 07WGX835-R020</b>		<b>Type: 0730M</b>		<b>Enclosure: XPFC</b>	
<b>Nameplate Data</b>			<b>460 V, 60 Hz: High Voltage Connection</b>		
<b>Rated Output (HP)</b>	7.5//5		<b>Full Load Torque</b>	22.23 LB-FT	
<b>Volts</b>	230/460//190/380		<b>Start Configuration</b>	direct on line	
<b>Full Load Amps</b>	20.6/10.3//17.8/8.9		<b>Breakdown Torque</b>	71.56 LB-FT	
<b>R.P.M.</b>	1765//1470		<b>Pull-up Torque</b>	31.54 LB-FT	
<b>Hz</b>	60//50	<b>Phase</b>	3	<b>Locked-rotor Torque</b>	47.06 LB-FT
<b>NEMA Design Code</b>	A	<b>KVA Code</b>	J	<b>Starting Current</b>	72.23 A
<b>Service Factor (S.F.)</b>	1		<b>No-load Current</b>	5.28 A	
<b>NEMA Nom. Eff.</b>	89.5	<b>Power Factor</b>	76	<b>Line-line Res. @ 25°C</b>	1.5 Ω
<b>Rating - Duty</b>	40C AMB-CONT		<b>Temp. Rise @ Rated Load</b>	65°C	
			<b>Locked-rotor Power Factor</b>	39.7	
			<b>Rotor inertia</b>	0.738 LB-FT <sup>2</sup>	

**Load Characteristics 460 V, 60 Hz, 7.5 HP**

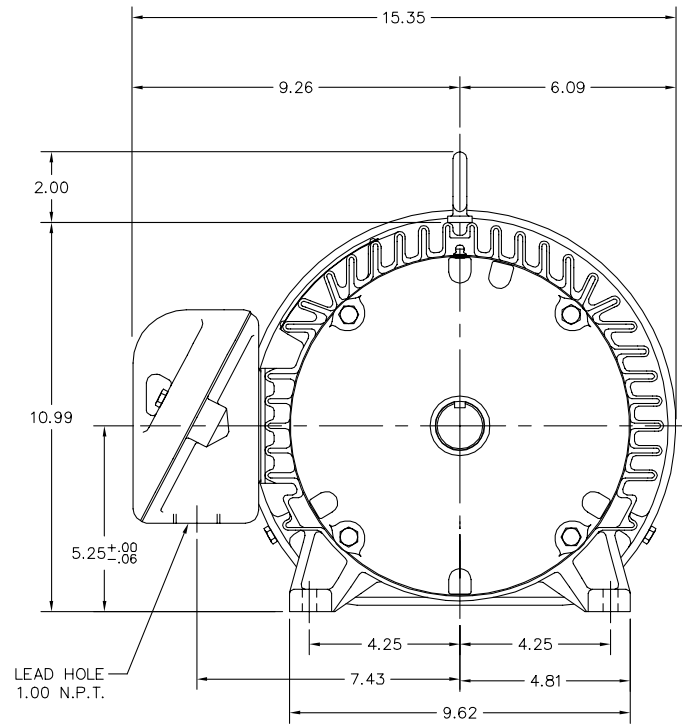
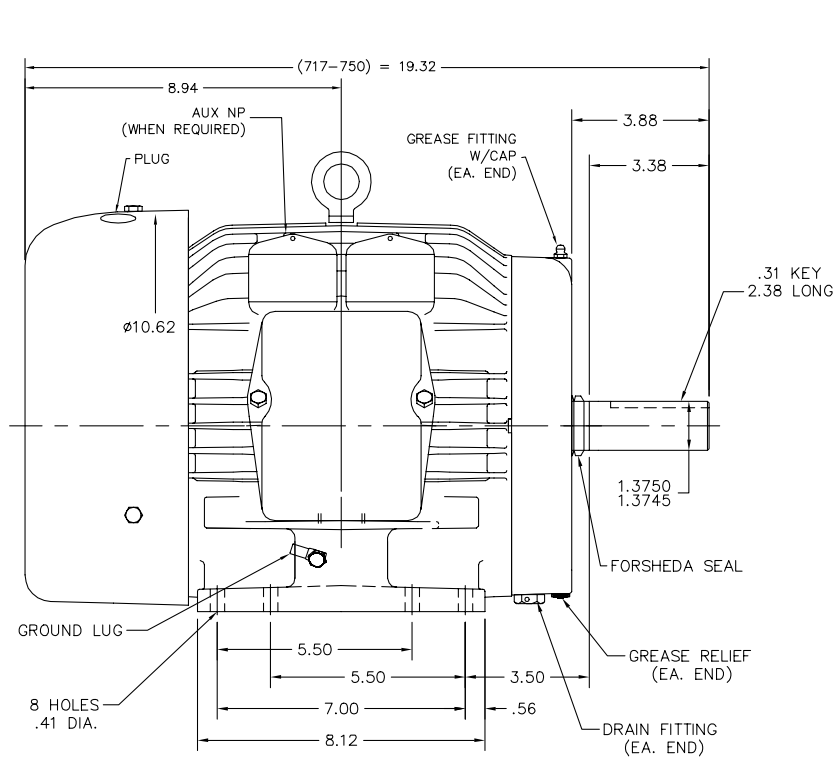
<b>% of Rated Load</b>	<b>25</b>	<b>50</b>	<b>75</b>	<b>100</b>	<b>125</b>	<b>150</b>
<b>Power Factor</b>	37	59	71	77	80	83
<b>Efficiency</b>	79.8	87.3	89.4	90.2	89.3	87.6
<b>Speed</b>	1792	1785	1776	1767	1757	1746
<b>Line amperes</b>	5.63	6.7	8.25	10.09	12.14	14.42



Gráfica de desempeño 460V, 60Hz, 7.5HP Desempeño típico - Sin valores garantizados



07LYH001



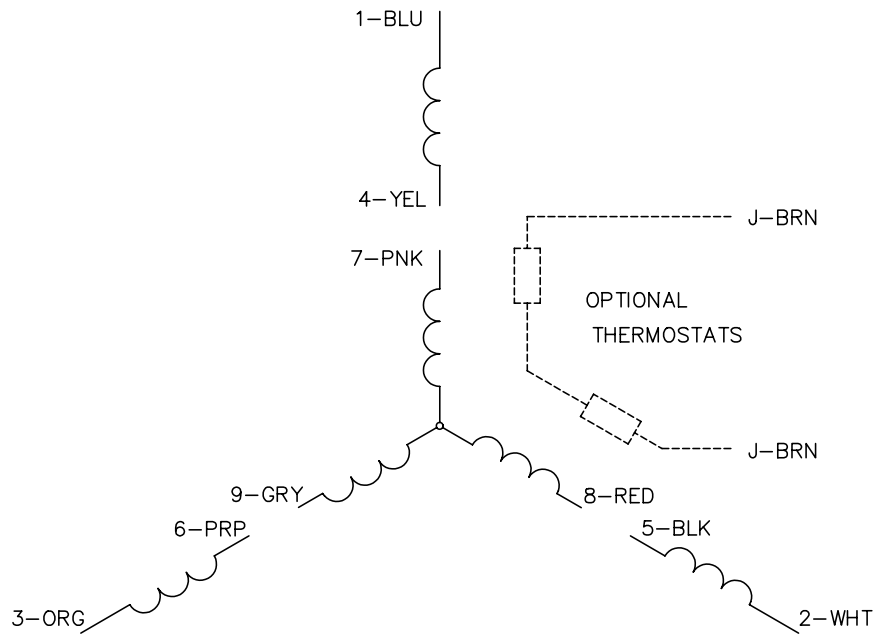
07LYH001

CUSTOMER IS RESPONSIBLE FOR DETERMINING THAT BALDOR'S PRODUCT WILL PERFORM SUITABLY IN THE INTENDED APPLICATION.

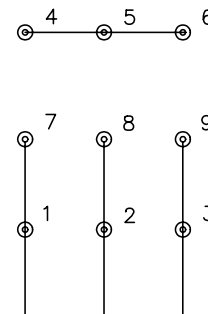
REV. DESC: CHANGE GRD LUG CALLOUT		
REV. LTR: L	VERSION: 02	TDR: 000001014020
FILE: \AAA\00007\565	REVISED: 11:46:33 01/31/2017	BY: USTRYAY1
MTL: -		

**BALDOR**  
 HORZ 213-5T TEFC M CP  
 SH 1 of 1

CD0005

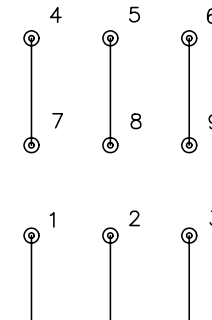


LOW VOLTAGE  
(2Y)



LINE

HIGH VOLTAGE  
(1Y)



LINE

NOTES:

1. INTERCHANGE ANY TWO LINE LEADS TO REVERSE ROTATION.
2. OPTIONAL THERMOSTATS ARE PROVIDED WHEN SPECIFIED.
3. ACTUAL NUMBER OF INTERNAL PARALLEL CIRCUITS MAY BE A MULTIPLE OF THOSE SHOWN ABOVE.
4. LEAD COLORS ARE OPTIONAL. LEADS MUST ALWAYS BE NUMBERED AS SHOWN.

REV. DESC: REVISE TO SHOW OPTIONAL COLORS			
REV. LTR: E	BY: JLP	REVISED: 01/19/99 10:15	TDR: 0171435
90000		FILE: AAA00005140	MDL: -
		MTL: -	

**BALDOR ELECTRIC Co.**

3PH, DV, 9 LEADS

CD0005