

**BALDOR® • RELIANCE** 

**Paquete de información de producto**

**EM4110T-12**

**40HP,1770RPM,3PH,60HZ,324T,1260M,TEFC,F1**

Detalle producto							
Revisión:	L	Estado:	PRD/A	Núm. cambio:		Propietario:	No
Tipo:	AC	Spec elec.:	12WGY339	Diagrama Conexión:	CD0104	Planta fabr.:	
Spec Mec.:	12C51	Diseño:	12LYC051	Polos:	04	Fecha de creación:	08-03-2010
Base:	RG	Efec. Fecha:	04-03-2019	Cables:	12#8		

Specs			
Catalog Number:	EM4110T-12	Insulation Class:	F
Enclosure:	TEFC	Inverter Code:	Inverter Ready
Frame:	324T	KVA Code:	H
Frame Material:	Iron	Lifting Lugs:	Standard Lifting Lugs
Output @ Frequency:	40.000 HP @ 60 HZ	Locked Bearing Indicator:	Locked Bearing
Synchronous Speed @ Frequency:	1800 RPM @ 60 HZ	Motor Lead Quantity/Wire Size:	12 @ 8 AWG
Voltage @ Frequency:	460.0 V @ 60 HZ	Motor Lead Exit:	Ko Box
	230.0 V @ 60 HZ	Motor Lead Termination:	Flying Leads
XP Class and Group:	None	Motor Type:	1260M
XP Division:	Not Applicable	Mounting Arrangement:	F1
Agency Approvals:	CSA	Power Factor:	83
	CSA EEV	Product Family:	General Purpose
	UR	Pulley End Bearing Type:	Ball
Auxillary Box:	No Auxillary Box	Pulley Face Code:	Standard
Auxillary Box Lead Termination:	None	Pulley Shaft Indicator:	Standard
Base Indicator:	Rigid	Rodent Screen:	None
Bearing Grease Type:	Polyrex EM (-20F +300F)	Shaft Extension Location:	Pulley End
Blower:	None	Shaft Ground Indicator:	No Shaft Grounding

<b>Current @ Voltage:</b>	48.000 A @ 460.0 V	<b>Shaft Rotation:</b>	Reversible
	96.000 A @ 230.0 V	<b>Shaft Slinger Indicator:</b>	Shaft Slinger
<b>Design Code:</b>	A	<b>Speed Code:</b>	Single Speed
<b>Drip Cover:</b>	No Drip Cover	<b>Motor Standards:</b>	NEMA
<b>Duty Rating:</b>	CONT	<b>Starting Method:</b>	Wye Start - Delta Run
<b>Electrically Isolated Bearing:</b>	Not Electrically Isolated	<b>Thermal Device - Bearing:</b>	None
<b>Feedback Device:</b>	NO FEEDBACK	<b>Thermal Device - Winding:</b>	None
<b>Front Face Code:</b>	Standard	<b>Vibration Sensor Indicator:</b>	No Vibration Sensor
<b>Front Shaft Indicator:</b>	None	<b>Winding Thermal 1:</b>	None
<b>Heater Indicator:</b>	No Heater	<b>Winding Thermal 2:</b>	None

<b>Placa NP3443L</b>										
<b>CAT.NO.</b>	EM4110T-12				<b>CUST. P/N</b>				<b>ENCL</b>	TEFC
<b>SPEC.</b>	12C051Y339G1		<b>CC</b>	010A	<b>FRAME</b>	324T		<b>SER.NO.</b>		
<b>HP</b>	40		<b>CLASS</b>	F	<b>HZ</b>	60				
<b>R.P.M.</b>	1770		<b>PH</b>	3	<b>DES</b>	A				
<b>VOLTS</b>	230/460		<b>CODE</b>	H	<b>ODE BRG</b>	6311		<b>DE BRG</b>	6312	
<b>AMPS</b>	96/48		<b>USABLE AT 208V</b>							
<b>RATING</b>	40C AMB-CONT		<b>NEMA NOM. EFF.</b>	94.1		<b>GREASE</b>	POLYREX EM			
<b>P.F.</b>	83		<b>SER.F.</b>	1.15		<b>VPWM INVERTER READY</b>				
<b>HTR-VOLTS</b>			<b>HTR-AMPS</b>			<b>HTR-WATTS</b>				

Lista de partes		
Núm. parte	Descripción	Cantidad
SA200837	SA 12C051Y339G1	1.000 EA
RA188148	RA 12C051Y339G1	1.000 EA
09FN3001B03SP	EXTERNAL FAN, PLASTIC	1.000 EA
10CB3001	CAJA DE CONEXIONES CI HOLE 2.5	1.000 EA
12GS1000SP	GASKET	1.000 EA
10XN3118K12	5/16-18 X .75 GRADE 5, ZINC PLATED	4.000 EA
HW1001A31	LOCKWASHER 5/16, ZINC PLT.591 OD, .319 I	4.000 EA
WD1000B25	GND LUG, BURNDY L125HP OR T&B L125HP-BB	1.000 EA
19XW3118G08	.31-18X.50,HEX WSHR HD,TAPTITE 2,GREEN	1.000 EA
HA3400A13	STUD, 1/2-13 X 7" WELKER	4.000 EA
HW1001A50	LOCKWASHER 1/2, ZINC PLT.,.879 OD, .509 I	4.000 EA
HW5100A13	W4627-047 WVY WSHER	1.000 EA
10XN3118K36	5/16-18 X 2.25" HEX HD, GRADE 5	2.000 EA
HW1001A31	LOCKWASHER 5/16, ZINC PLT.591 OD, .319 I	2.000 EA
12EP1106A01	PU ENDPLATE, MACH 324-6T	1.000 EA
HW4600B41	V-RING SLINGER 2.125 X 2.880 X 0.280	1.000 EA
10XN5013K28	1/2-13 X 1.75 HEX HEAD MACH SCREW,GRAD	4.000 EA
HW1001A50	LOCKWASHER 1/2, ZINC PLT.,.879 OD, .509 I	4.000 EA
10XN3118K40	5/16-18 X 2.50" HEX HD, GRADE 5	4.000 EA
HW1001A31	LOCKWASHER 5/16, ZINC PLT.591 OD, .319 I	4.000 EA
12FH1002SP	FAN COVER, CAST QF,WAUPACA QUALITY	1.000 EA
HW1001A50	LOCKWASHER 1/2, ZINC PLT.,.879 OD, .509 I	4.000 EA
XY5013A12	NUT,1/2-13,HEX,STEEL,ZINCPLATED	4.000 EA
10CB3500SP	VER 10CB3500SP	1.000 EA

Lista de partes (cont.)		
Núm. parte	Descripción	Cantidad
10GS1000SP	GASKET, CONDUIT BOX LID	1.000 EA
51XW2520A12	.25-20 X .75, TAPTITE II, HEX WSHR SLTD	4.000 EA
HW2501H33	KEY, 1/2 SQ X 3.875	1.000 EA
LB1115N	LABEL,LIFTING DEVICE (ON ROLLS)	1.000 EA
MN416A01	TAG-INSTAL-MAINT no wire (1200/bx) 3/19	1.000 EA
12EP1107A05	FR ENDPLATE, MACH 324-6T	1.000 EA
HW4500A21	1618BALEMITE FITTING 825 UNIVERSAL	1.000 EA
HA4017A01	1/8 X 4 GREASE EXT (F/S)	1.000 EA
HW4500A17	317400 ALEMITE GREASE RELIEF	1.000 EA
HA4054	SHORT T-DRAIN FITTING, .125" N.P.T.	1.000 EA
HA4051A00	PLASTIC CAP FOR GREASE FITTING	1.000 EA
MJ1000A02	GREASE, POLYREX EM EXXON	0.200 LB
HW4500A03	GREASE FITTING, .125 NPT 1610(ALEMITE) 8	1.000 EA
HW4500A17	317400 ALEMITE GREASE RELIEF	1.000 EA
HA4054	SHORT T-DRAIN FITTING, .125" N.P.T.	1.000 EA
HA4051A00	PLASTIC CAP FOR GREASE FITTING	1.000 EA
HW2500A25	WOODRUFF KEY USA #1008 #BLOW CARBON STEE	1.000 EA
51XB1214A20	12-14X1.25 HXWSSLD SERTYB	1.000 EA
MG1000Y03	MUNSELL 2.53Y 6.70/ 4.60, GLOSS 20,	0.080 GA
85XU0407S04	4X1/4 U DRIVE PIN STAINLESS	4.000 EA
LB1119N	WARNING LABEL	1.000 EA
LC0104A01	CONNECTION LABEL	1.000 EA
NP3443L	SS SUPER-E UL CSA-EEV PREM CC	1.000 EA
12PA1000	PACKAGING GROUP PRINT PK1024A06	1.000 EA

**AC Induction Motor Performance Data**

Record # 32033 - Typical performance - not guaranteed values

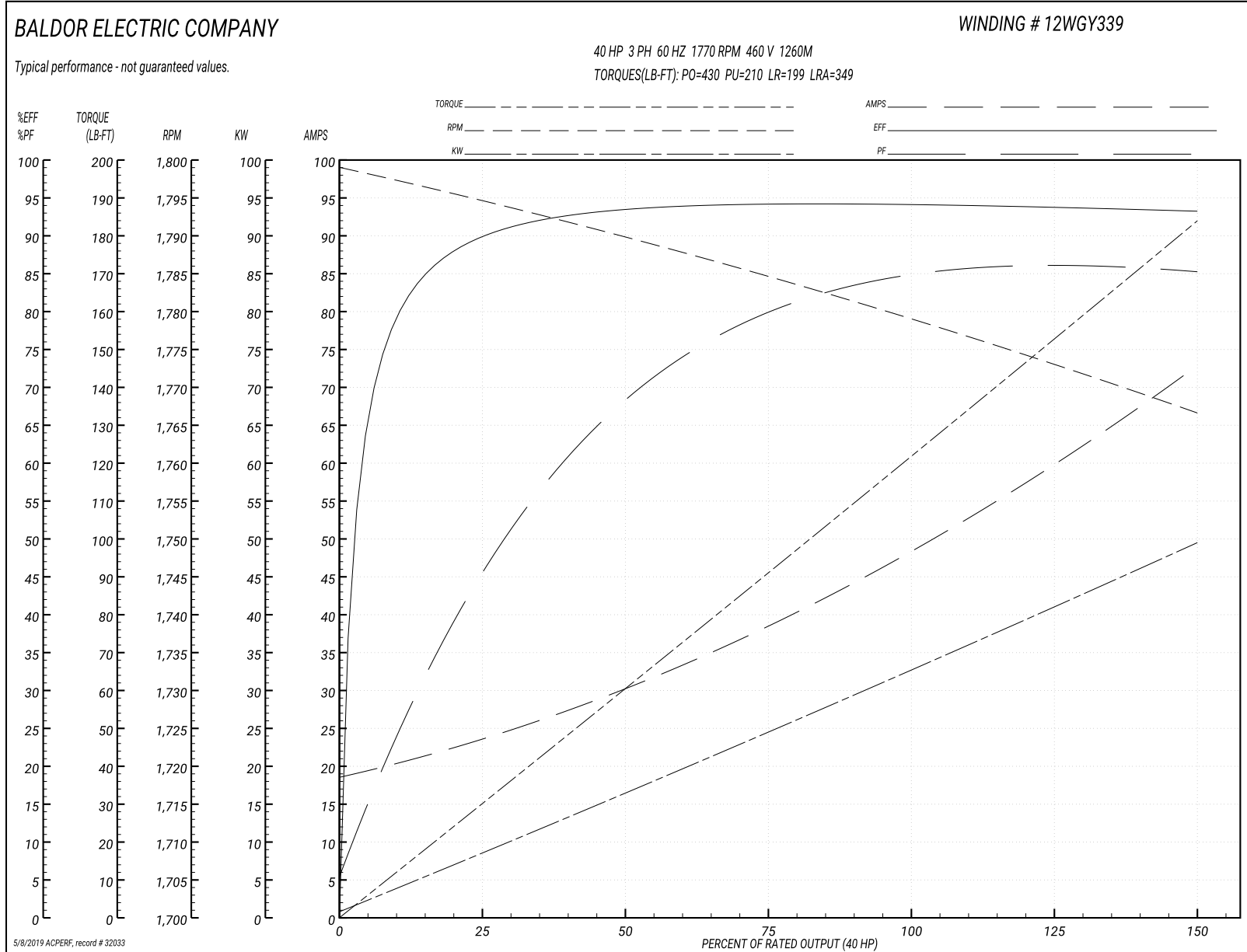
<b>Winding:</b> 12WGY339-R001	<b>Type:</b> 1260M	<b>Enclosure:</b> TEFC
-------------------------------	--------------------	------------------------

Nameplate Data				460 V, 60 Hz: High Voltage Connection	
Rated Output (HP)	40			Full Load Torque	118 LB-FT
Volts	208-230/460			Start Configuration	direct on line
Full Load Amps	102-96/48			Breakdown Torque	430 LB-FT
R.P.M.	1770			Pull-up Torque	210 LB-FT
Hz	60	Phase	3	Locked-rotor Torque	199 LB-FT
NEMA Design Code	A	KVA Code	H	Starting Current	349 A
Service Factor (S.F.)	1.15			No-load Current	19.3 A
NEMA Nom. Eff.	94.1	Power Factor	83	Line-line Res. @ 25°C	0.13252 Ω
Rating - Duty	40C AMB-CONT			Temp. Rise @ Rated Load	51°C
S.F. Amps				Temp. Rise @ S.F. Load	61°C
				Locked-rotor Power Factor	27
				Rotor inertia	7.99 LB-FT <sup>2</sup>

Load Characteristics 460 V, 60 Hz, 40 HP

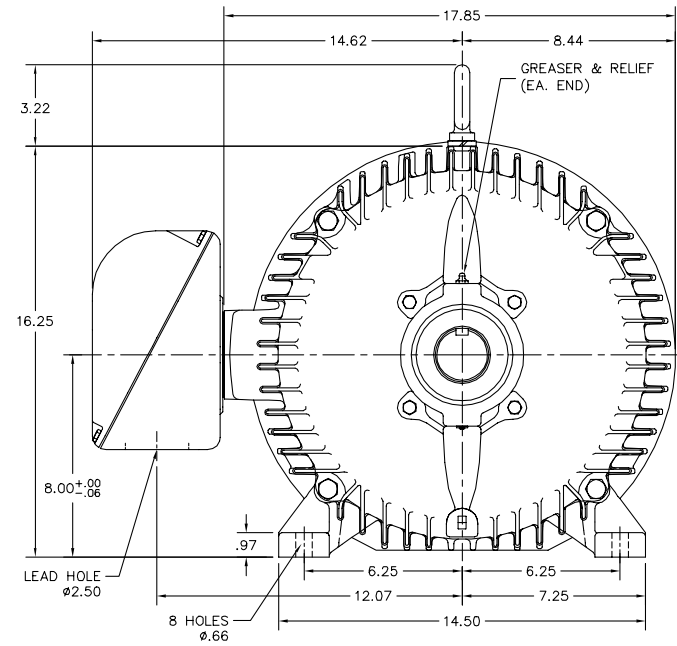
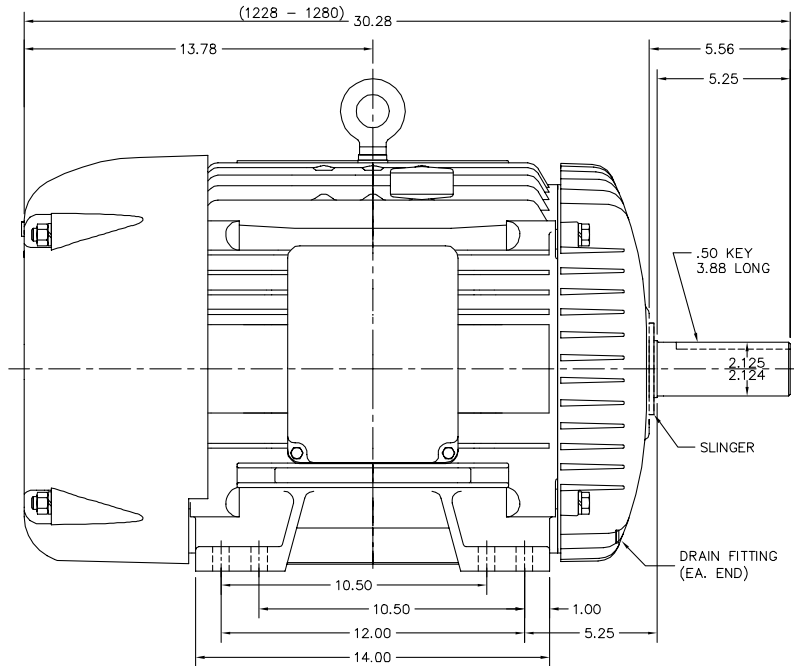
% of Rated Load	25	50	75	100	125	150	S.F.
Power Factor	46	69	79	83	86	86	85
Efficiency	90.1	93.7	94.5	94.5	94.2	93.5	94.3
Speed	1795.1	1790.2	1784.9	1779.7	1774.3	1766.5	1776
Line amperes	22.5	29.1	37.7	47.9	58.1	72.5	54

Gráfica de desempeño 460V, 60Hz, 40.0HP Desempeño típico - Sin valores garantizados





12LYC051



12LYC051

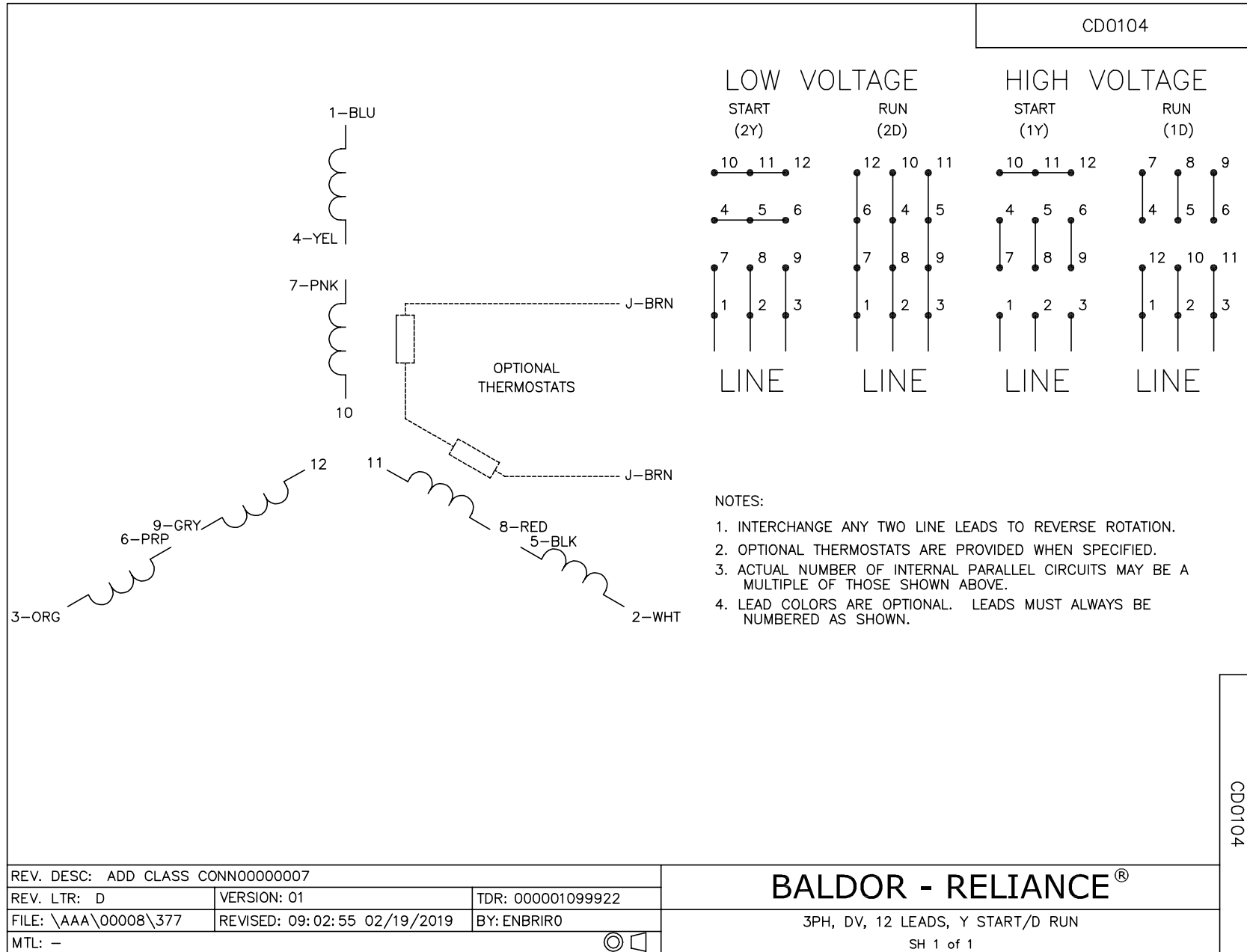
CUSTOMER IS RESPONSIBLE FOR DETERMINING THAT BALDOR'S PRODUCT WILL PERFORM SUITABLY IN THE INTENDED APPLICATION.

REV. DESC: ADDED FOOT THICKNESS DIM.		
REV. LTR: Y	VERSION: 08	TDR: 000000957396
FILE: \AAA\00001\609	REVISED: 11:12:13 12/17/2015	BY: ENNINDO
MTL: -		

**BALDOR**

HORZ TEFC 324-6T

SH 1 of 1



Marketing maintained PDF of MN416:

<http://www.baldor.com/support/Literature/Load.ashx/MN416?ManNumber=MN416>