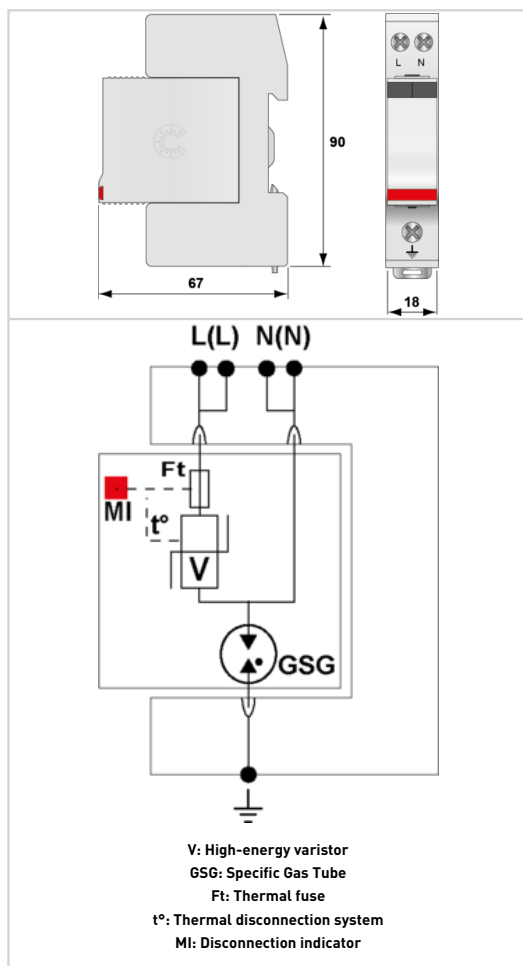


DS240-120/G


- Compact single-phase Type 2 surge protector
- In : 20 kA
- Imax : 40 kA
- Common/Differential mode
- Pluggable module
- Remote signaling option
- EN 61643-11, IEC 61643-11 compliance
- UL1449 ed.4



Electrical Characteristics		
SPD type (following IEC tests)		2
Network		120 V single-phase
AC system		TT-TN
Max. AC operating voltage	Uc	150 Vac
Max. load current(if series connection)	IL	20 A
Temporary Over Voltage (TOV) Characteristics - 5 sec. (Without disconnection)	UT	180 Vac withstand
Temporary Over Voltage (TOV) Characteristics - 120 mn (Without disconnection or with safety disconnection)	UT	230 Vac disconnection
Temporary Over Voltage N/PE (TOV HT) (Without disconnection or with safety disconnection)	UT	1200 V/300A/200 ms withstand
Residual Current(Leakage current to Ground)	Ipe	None
Follow current	If	None
Nominal discharge current (15 x 8/20 μs impulses)	In	20 kA
Max. discharge current(max. withstand @ 8/20 μs by pole)	Imax	40 kA
Total Maximum discharge current (max. total withstand @ 8/20 μs)	Imax Total	40 kA
Connection mode(s)		L/N and N/PE
Protection mode(s)		Common/Differential mode
Protection level (@ In [8/20μs])	Up	0.9 kV
Residual voltage at 5 kA(@ 5 kA [8/20μs])	Up-5kA	1.5/0.6 kV
Protection level L/N (@ In [8/20μs])	Up L/N	0.9 kV
Protection level CM/DM(@ In [8/20μs])	Up mc/md	1.5/0.9 kV
Admissible short-circuit current	Iscrr	10 000 A
Mechanical Characteristics		
Technology		MOV
SPD configuration		Single phase
Connection to Network		by screw terminals: 1.5-10mm ² (L/N) or 2.5-25mm ² (PE)
Format		Plug-in modular box
Mounting		Symmetrical rail 35 mm (DIN 60715)
Housing material		Thermoplastic UL94 V-0
Operating temperature	Tu	-40/+85°C
Protection rating		IP20
Failsafe mode		Disconnection
Disconnection indicator		1 mechanical indicator
Spare module(s)		DSM240-120/G
Remote signaling of disconnection		Option DS240S-120/G : output on changeover contact
Dimensions		See diagram
Disconnectors		
Thermal disconnector		Internal
Installation ground fault breaker		Type 'S' or delayed
Fuses		50 A mini. - 125 A max. - Fuses Type gG
Standards		
Standards compliance		IEC 61643-11 / EN 61643-11 / UL1449 4ed.
Certification		UL / CSA / EAC
Part number		



DS240-120/G

311621

