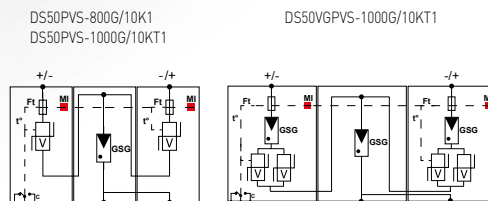
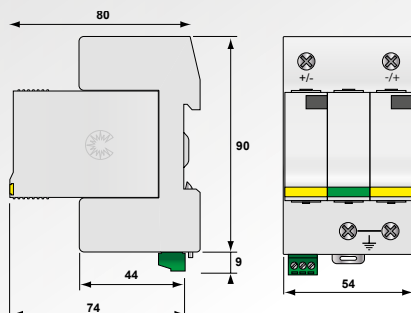


Type 1+2 PV Surge Protector D50xxPV-G/10KT1



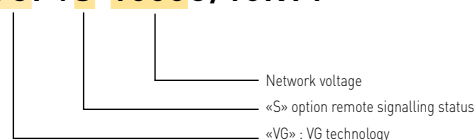
DS50VGPV-1000G/10KT1



GSG: Gas-filled spark gap
V: High energy MOV
Ft: Thermal fuse
t°: Thermal disconnection mechanism
C: Contact for remote signal
MI: Disconnection indicator

- Type 1+2 Surge Protector for Photovoltaic
- Impulse currents I_{imp}/I_{total} : 5/10kA @ 10/350 μ s
- Common Mode and Differential protection
- No leakage, no operating currents
- Remote Signaling (option)
- Plug-in modules
- EN 50539-11 compliance

DS50VGPVS-1000G/10KT1



Characteristics

CITEL Model		DS50VGPV-1000G/10KT1	DS50PV-880G/10KT1	DS50PV-1000G/10KT1
Description		Type 1+2 PV surge protector		
Network	Uocstc	PV network 1000 Vdc	PV network 880 Vdc	PV network 1000 Vdc
Protection mode(s)		CM/DM	CM/DM	CM/DM
Max. PV operating voltage	Ucpv	1200 Vdc	1060 Vdc	1200 Vdc
Current withstand short circuit PV	Iscpv	1000 A	1000 A	1000 A
Permanente operating current - Leakage current at Ucpv	Icpv	None	< 0.1 mA	< 0.1 mA
Residual current - Leakage current at Ucpv	Ipe	None	None	None
Follow current	if	None	None	None
Nominal discharge current - 15 x 8/20 μ s impulses	In	15 kA	15 kA	15 kA
Max. discharge current - max. withstand @ 8/20 μ s by pole	I _{max}	40 kA	40 kA	40 kA
Impulse current by pole - max. withstand 10/350 μ s	I _{imp}	5 kA	5 kA	5 kA
Total lightning current - max. total withstand @ 10/350 μ s	I _{total}	10 kA	10 kA	10 kA
Total Maximal discharge current - max. total withstand @ 8/20 μ s	I _{total}	60 kA	60 kA	60 kA
Protection level CM/DM @In (8/20 μ s) and @ 6kV (1.2/50 μ s)	Up	2.8/5.1 kV	2.9/3.6 kV	2.6/4.6 kV
Associated disconnectors				
Thermal disconnector		internal		
Fuses		without		
Mechanical characteristics				
Dimensions		see diagram		
Connection to Network		Screw terminals: 2.5-25mm ²		
Disconnection indicator		2 mechanical indicators		
Remote signaling of disconnection		Option DS50VGPVS-1000G/10KT1 - output on changeover contact	Option DS50PVS-880G/10KT1 - output on changeover contact	Option DS50PVS-1000G/10KT1 - output on changeover contact
Mounting		Symmetrical rail 35 mm (EN60715)		
Operating temperature		-40/+85°C		
Protection rating		IP20		
Housing material		Thermoplastic UL94-V0		
Standards compliance		EN50539-11		
Part number		481303	-	480383

