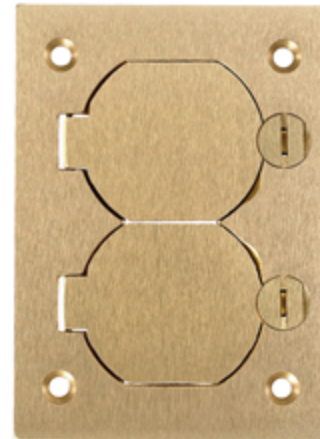


Floor Boxes
Accessories
Covers

HUBBELL

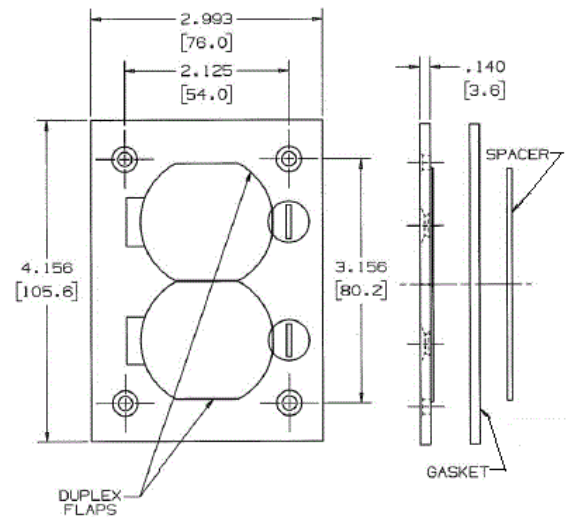
Ordering Information

Description	Material	UPC	Catalog Number
One cover required per	Brass	783585124001	S3825



Specifications

Cover Style	Rectangular
Cover Finish	Brass
Cover Opening	Duplex Flap
Dimensions	4.15" x 2.99"



Online Resources

- Customer Use Drawing
- eCatalog
- Installation Instructions

Dimensions in Inches (mm)

Hubbell Wiring Device-Kellems • Hubbell Incorporated (Delaware) • 40 Waterview Drive • Shelton, CT 06484

Phone (800) 288-6000 • Fax (800) 255-1031 • Specifications subject to change without notice.

