



ICAR S.P.A. - INDUSTRIA CONDENSATORI
Via Isonzo, 10 - 20052 MONZA (MI) - ITALY
Telefono +39 039 83951 - Fax +39 039 833227
www.icar.com - icar@icar.com

T.S. N°: 2K7734 REV.A
Date: 25.10.2018
Signature MC
Approval: DT DQ
Sheet 1 of 2

TECHNICAL SPECIFICATION

THREE PHASE POWER-FACTOR CORRECTION CAPACITORS

Self-healing metallized dielectric capacitor, metallic casing,
resin filled, dry. Overpressure disconnecter.

CRT-E-75208-5-480

RATINGS, GENERAL CHARACTERIST.

Rated Capacitance Cn : 3 x 19,2 μ F (Delta connection)
Capacitance tolerance : +10-5 %
Rated A.C. Voltage Urms : 480 V
Rated frequency f : 60 Hz
Rated Power Qn : 5,0 kvar
Max operating AC voltage Umax : 530 V
Peak voltage Us (not repetitive) : 1.400 V
Rated r.m.s. current In : 6,0 A
Max operating current Imax : 7,8 A
Maximum peak current i : 600 A
Temperat.coeff.of capacitance : - 260 ppm / °C

TEST DATA

AC Test between terminals, 10s : 1.030 V
AC Test between terminals and case, 10s : 3.000 V

ENVIROMENTAL CHARACTERISTICS

Climatic Category: :
Storage temperature: : T min = - 25 °C T max = + 55 °C
Ts min = - 40 °C Ts max = + 85 °C

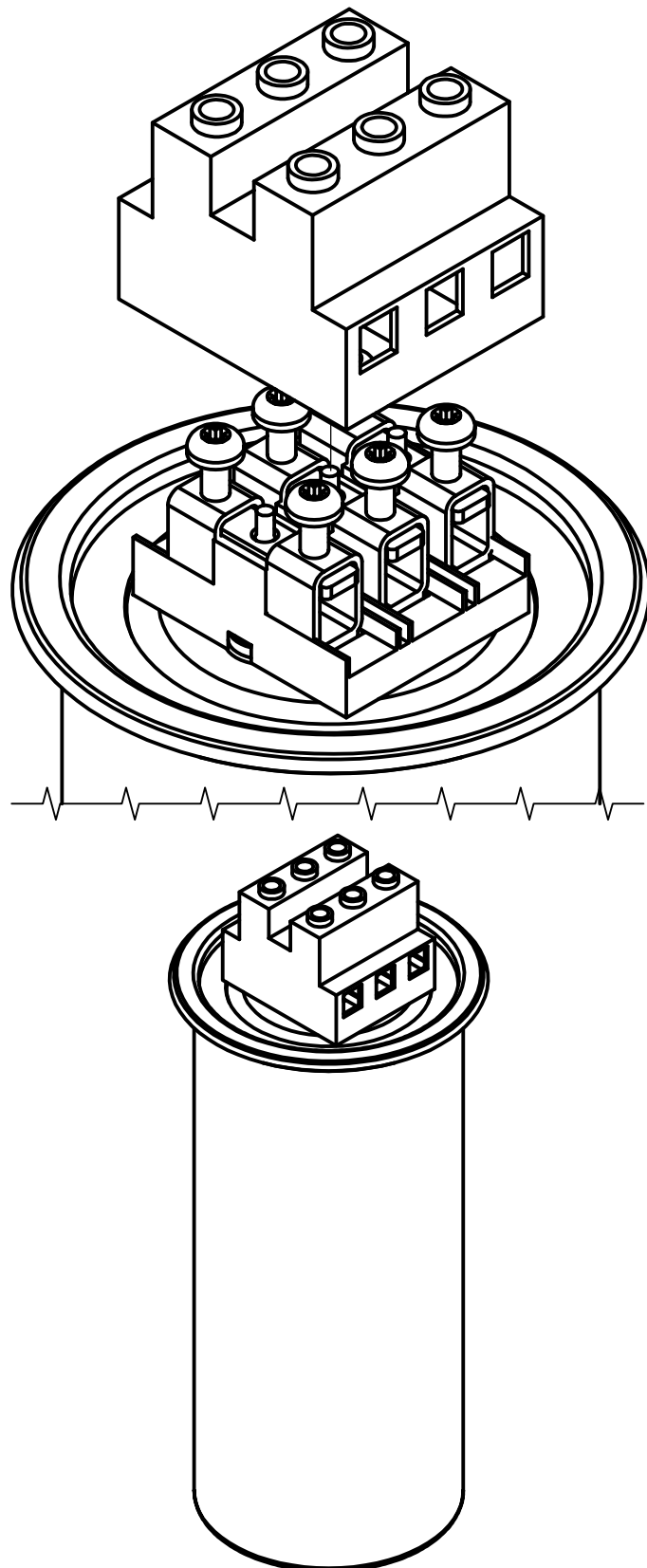
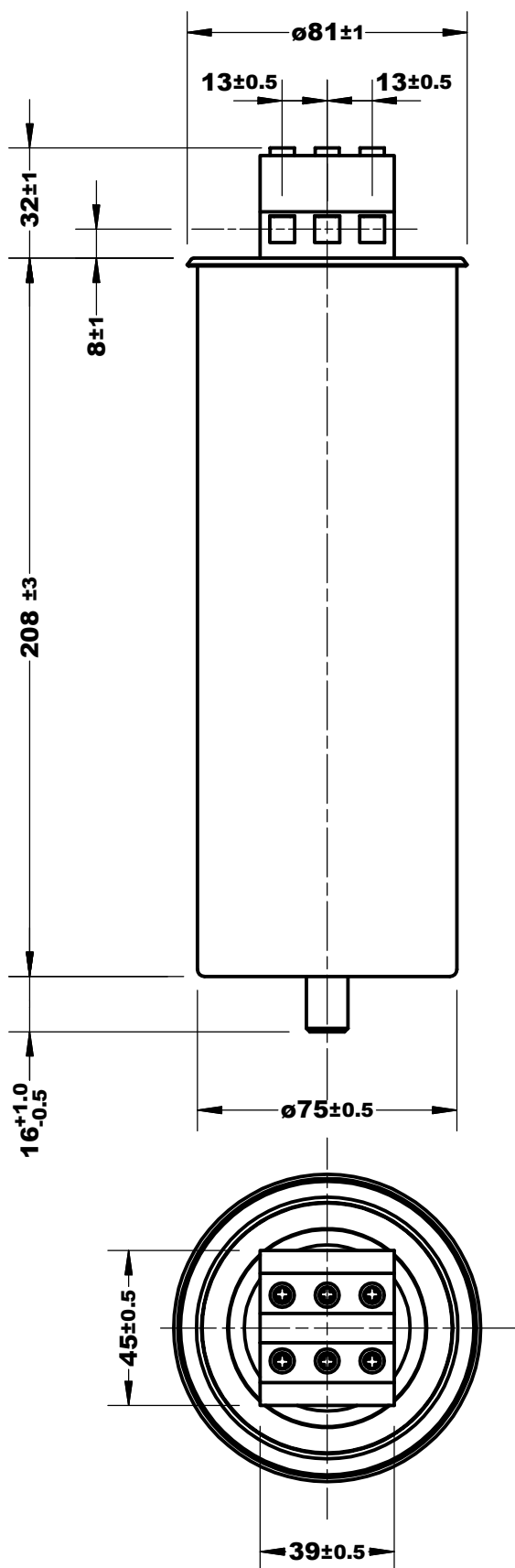
RELIABILITY at MAX HOT SPOT

max expected number failures :
per 10exp9 components hours : 500 fit
Expected life (Ln) : 100.000 h at 55°C hot spot

MECHANICAL CHARACTERISTICS

Case dimensions: :
Fixing: : D 75.0 H 208.0 mm
Maximum torque (fixing): : Stud M12 x 16 mm
Case material: : 10 Nm
Terminals: : Aluminium, not painted
Maximum torque: : Terminals board connection
Approx weight: : 3 Nm
Creepage distance: : 1.200 g
Clearance: : 19 mm
Reference: : 19 mm
IEC EN 60831 - 1 IEC EN 60831 - 2
UL approved - file number E99479

TECHNICAL SPECIFICATION



CRT - E - 75208 - 5 - 480