



ICAR S.P.A. - INDUSTRIA CONDENSATORI
Via Isonzo, 10 - 20052 MONZA (MI) - ITALY
Telefono +39 039 83951 - Fax +39 039 833227
www.icar.com - icar@icar.com

T.S. N°: 2K7735 REV.A
Date: 25.10.2018
Signature MC
Approval: DT DQ
Sheet 1 of 2

TECHNICAL SPECIFICATION

THREE PHASE POWER-FACTOR CORRECTION CAPACITORS

Self-healing metallized dielectric capacitor, metallic casing,
resin filled, dry. Overpressure disconnecter.

CRT-E-75208-7,5-480

RATINGS, GENERAL CHARACTERIST.

Rated Capacitance Cn : 3 x 28,9 μ F (Delta connection)
Capacitance tolerance : +10-5 %
Rated A.C. Voltage Urms : 480 V
Rated frequency f : 60 Hz
Rated Power Qn : 7,5 kvar
Max operating AC voltage Umax : 530 V
Peak voltage Us (not repetitive) : 1.400 V
Rated r.m.s. current In : 9,0 A
Max operating current Imax : 11,7 A
Maximum peak current i : 900 A
Temperat.coeff.of capacitance : - 260 ppm / °C

TEST DATA

AC Test between terminals, 10s : 1.030 V
AC Test between terminals and case, 10s : 3.000 V

ENVIROMENTAL CHARACTERISTICS

Climatic Category: :
Storage temperature: T min = - 25 °C T max = + 55 °C
Ts min = - 40 °C Ts max = + 85 °C

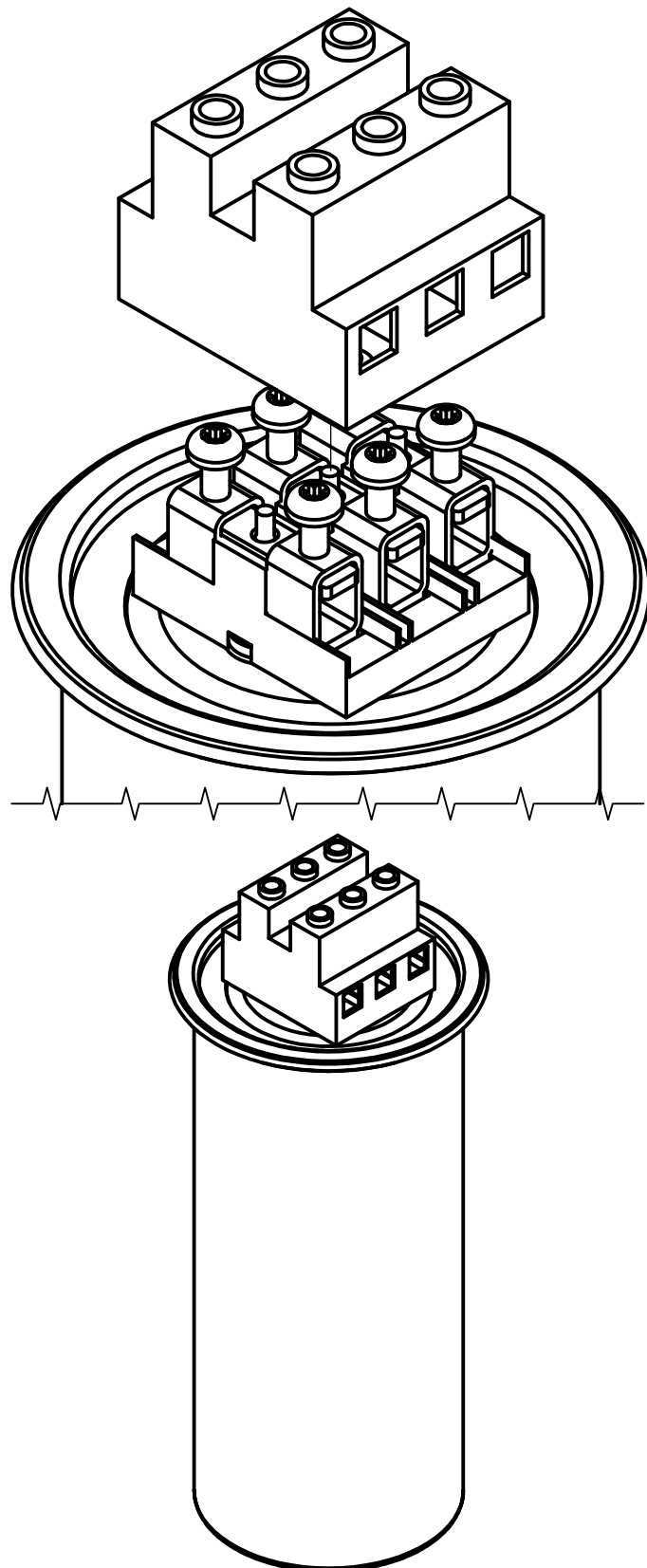
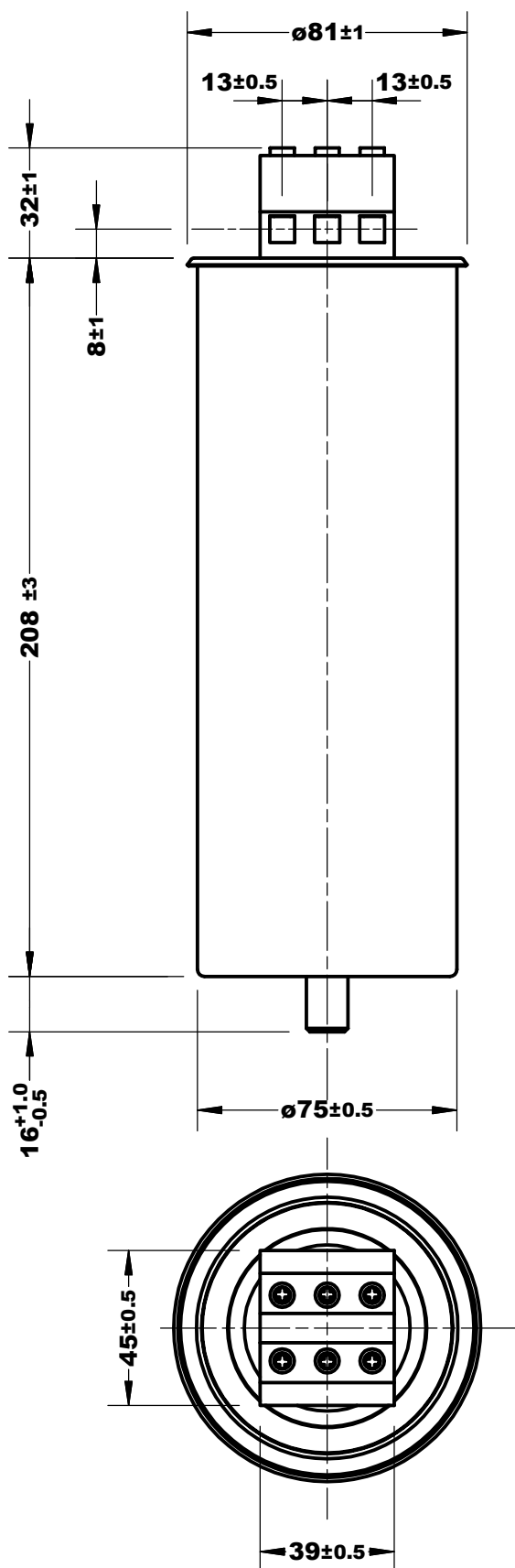
RELIABILITY at MAX HOT SPOT

max expected number failures :
per 10exp9 components hours -
Expected life (Ln) : 500 fit
100.000 h at 55°C hot spot

MECHANICAL CHARACTERISTICS

Case dimensions: :
Fixing: D 75.0 H 208.0 mm
Maximum torque (fixing): Stud M12 x 16 mm
Case material: 10 Nm
Terminals: Aluminium, not painted
Terminals board connection
Maximum torque: 3 Nm
Approx weight: 1.200 g
Creepage distance: 19 mm
Clearance: 19 mm
Reference: IEC EN 60831 - 1 IEC EN 60831 - 2
UL approved - file number E99479

TECHNICAL SPECIFICATION



CRT - E - 75208 - 7.5 - 480