



ICAR S.P.A. - INDUSTRIA CONDENSATORI  
Via Isonzo, 10 - 20052 MONZA (MI) - ITALY  
Telefono +39 039 83951 - Fax +39 039 833227  
www.icar.com - icar@icar.com

T.S. N°: 2K7611 REV.B  
Date: 25.10.2018  
Signature MC  
Approval: DT DQ  
Sheet 1 of 2

## TECHNICAL SPECIFICATION

### THREE PHASE POWER-FACTOR CORRECTION CAPACITORS

Self-healing metallized dielectric capacitor, metallic casing,  
resin filled, dry. Overpressure disconnecter.

# CRT-E-85208-10-480

#### RATINGS, GENERAL CHARACTERIST.

-----  
Rated Capacitance Cn : 3 x 38,5 $\mu$ F (Delta connection)  
Capacitance tolerance : +10-5 %  
Rated A.C. Voltage Urms : 480 V  
Rated frequency f : 60 Hz  
Rated Power Qn : 10,0 kvar  
Max operating AC voltage Umax : 530 V  
Peak voltage Us (not repetitive) : 1.400 V  
Rated r.m.s. current In : 12,0 A  
Max operating current Imax : 15,6 A  
Maximum peak current i : 1.200 A  
Temperat.coeff.of capacitance : - 260 ppm / °C  
-----

#### TEST DATA

-----  
AC Test between terminals, 10s : 1.030 V  
AC Test between terminals and case, 10s : 3.000 V  
-----

#### ENVIROMENTAL CHARACTERISTICS

-----  
Climatic Category: :  
Storage temperature: : T min = - 25 °C T max = + 55 °C  
Ts min = - 40 °C Ts max = + 85 °C  
-----

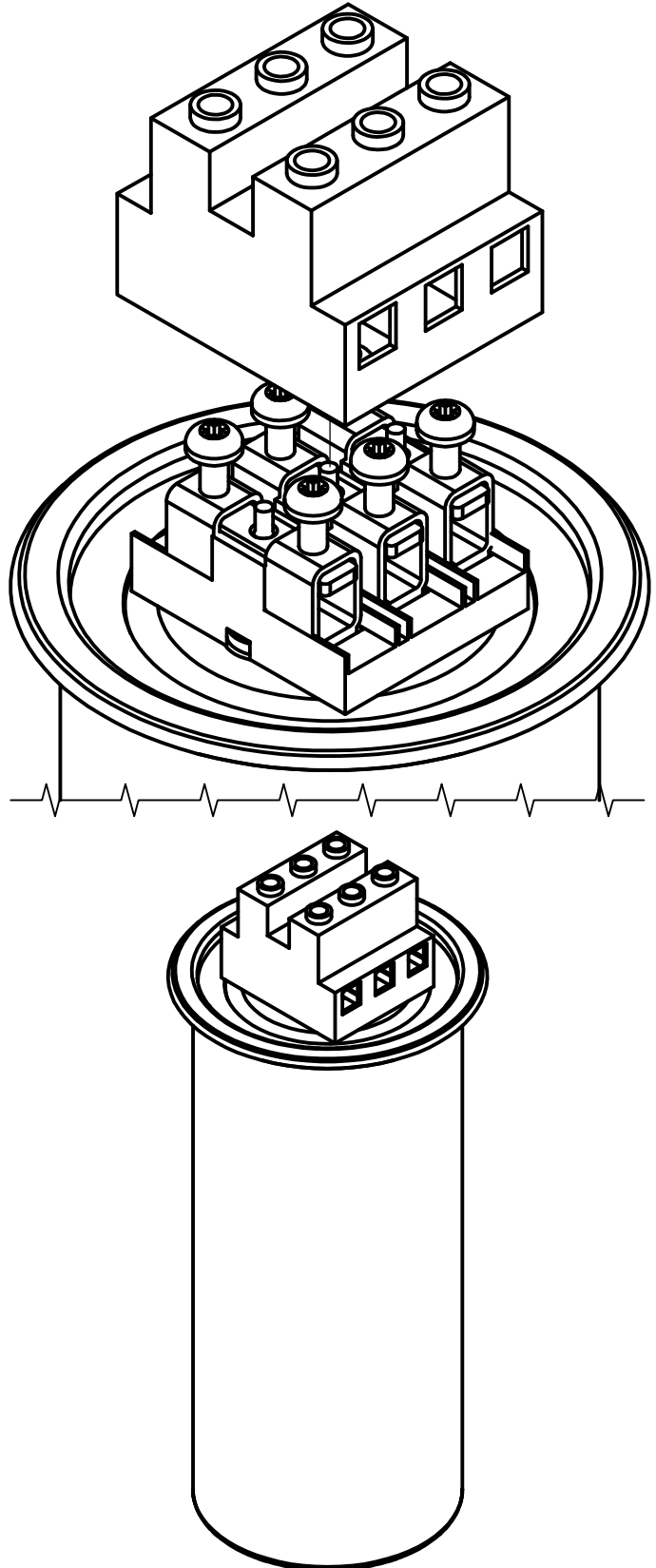
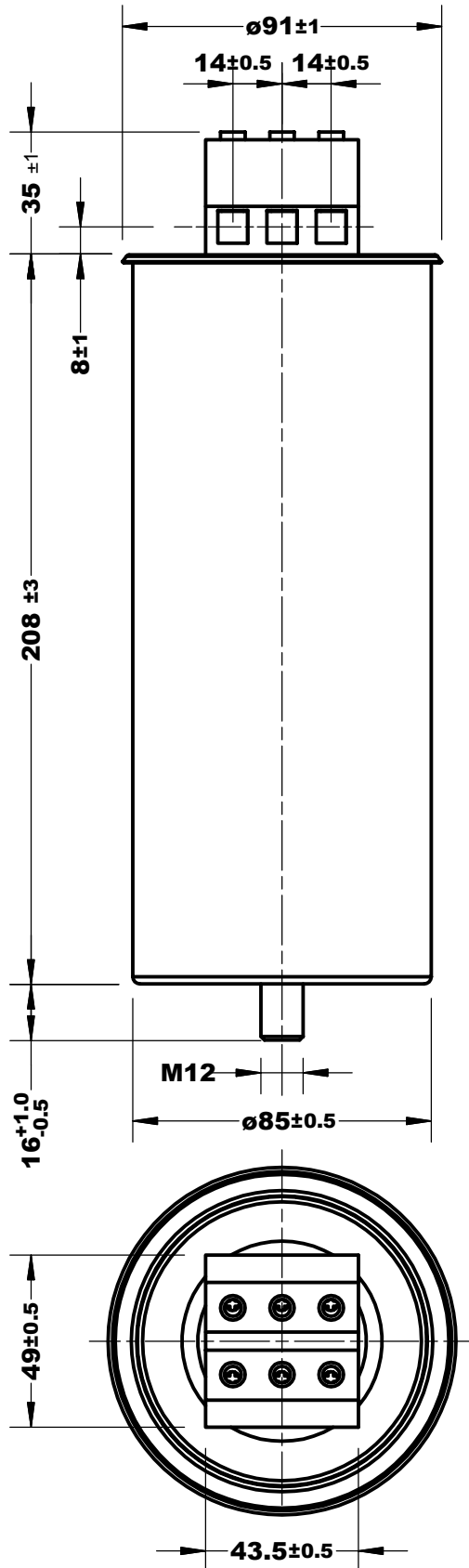
#### RELIABILITY at MAX HOT SPOT

-----  
max expected number failures :  
per 10exp9 components hours : -  
Expected life (Ln) : 500 fit  
100.000 h at 55°C hot spot  
-----

#### MECHANICAL CHARACTERISTICS

-----  
Case dimensions: :  
Fixing: : D 85.0 H 208.0 mm  
Maximum torque (fixing): : Stud M12 x 16 mm  
Case material: : 10 Nm  
Terminals: : Aluminium, not painted  
Maximum torque: : Terminals board connection  
Approx weight: : 3 Nm  
Creepage distance: : 1.600 g  
Clearance: : 19 mm  
Reference: : 19 mm  
IEC EN 60831 - 1 IEC EN 60831 - 2  
UL approved - file number E99479  
-----

## TECHNICAL SPECIFICATION



**CRT - E - 85208 - 10 - 480**